

Phoenix Series

PF-2080



LM79 LM80 L70:5+ YEARS

Features

- Brighter signs with less power (114 lm/watt)
- Energy efficient & constant current
- Premium components, high efficiency chips, and great heat dissipation for longer, reliable life.
- 14" max stroke
- Guaranteed life over 50,000 hours
- Identical Bin Code-One Color Guarantee
- DIY Layout Tool at hanleyledsolutions.com
(Available in English, Spanish, and French)

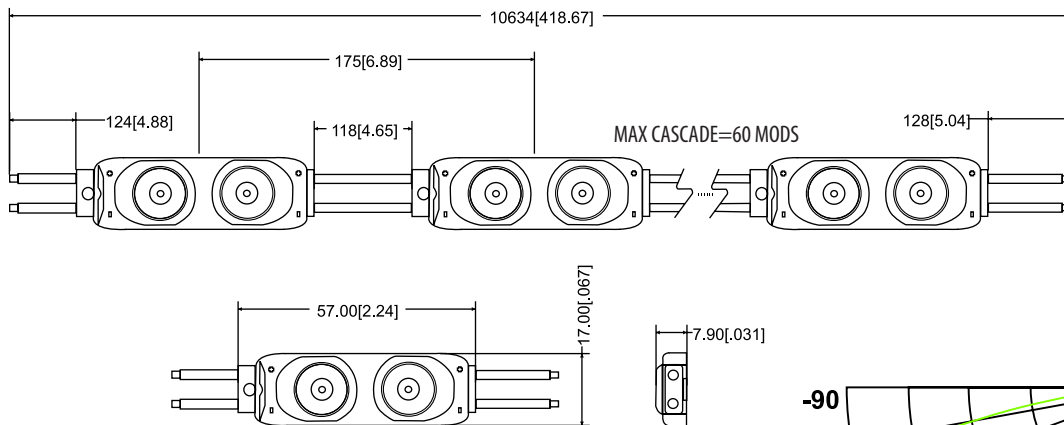
Specifications

Viewing Angle	170° Phoenix Wing Optics
Input Voltage	12vDC
Watts	.8w/mod (1.39w/ft.)
Luminous Efficacy	114 (lm/W)
Modules/Foot	1.74/ft. fully stretched
Protection Grade	IP65 water proof
Packaging	Anti-static bag, 120 modules (69 ft)/bag
Warranty	5 Year (Product) / 5 Year (Labor)
Operating Temp.	-40° ~ +60 °C / -40° ~ +140 °F
Storage Temp.	-40° ~ -70 °C / -40° ~ +158 °F
Cascade	60mods single-ended power feed 120mods double-ended power feed

Color	Part#	Color Temp	Lumens
Pure White	HLED-PF2080	7000K	91 lm/mod (158 lm/ft.)
Red	HLED-PF2080R	620-625nm	20 lm/mod (34 lm/ft.)
Orange	HLED-PF2080-OR	600-610nm	16 lm/mod (27 lm/ft.)
Yellow	HLED-PF2080Y	590-595nm	12 lm/mod (20.9 lm/ft.)
Blue	HLED-PF2080B	460-470nm	8 lm/mod (13.9 lm/ft.)
Green	HLED-PF2080G	520-530nm	44 lm/mod (76.5 lm/ft.)

Profile Drawings

Unit: mm[inch]



MODEL	MAX POWER SUPPLY LOAD			
	35W	60W	100W	150W
PF-2080	43mods	75mods	125mods	187mods



1 bag = (1) 100w premium power supply

