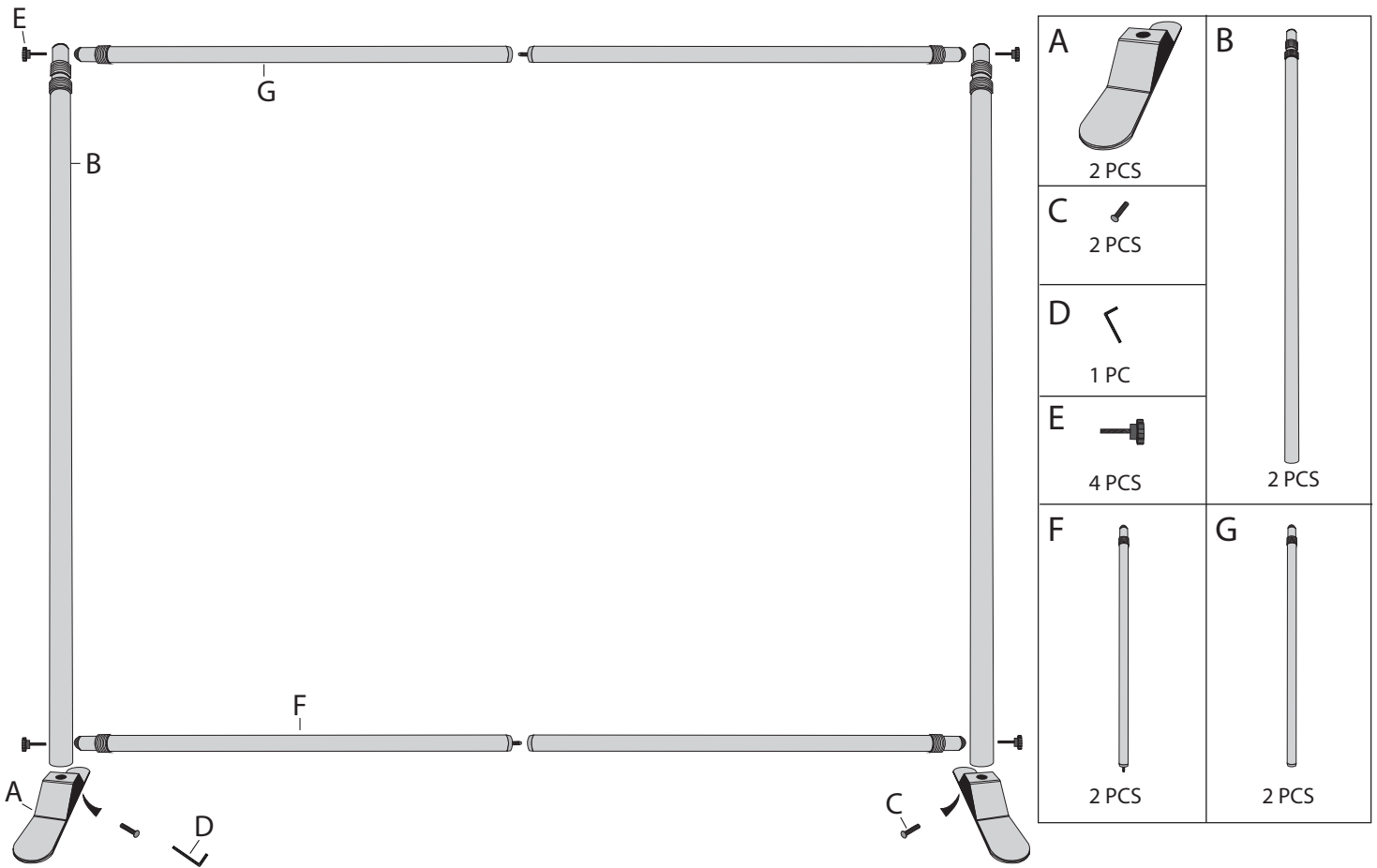
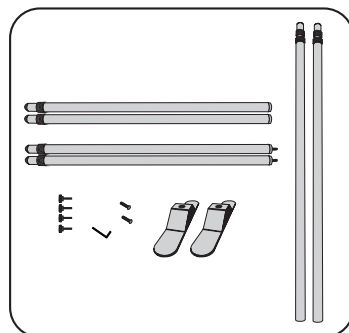


ASSEMBLY INSTRUCTIONS

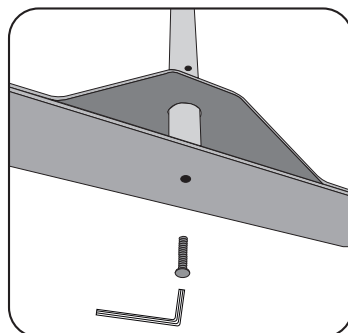
COMPONENTS:



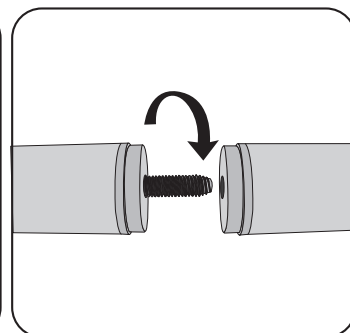
A		B	
	2 PCS		2 PCS
C			
	2 PCS		
D			
	1 PC		
E			
	4 PCS		
F		G	
	2 PCS		2 PCS



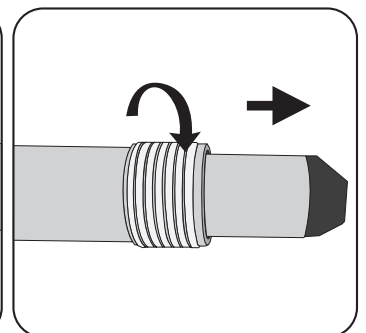
1 Take all of the parts out of the box and carry bag.



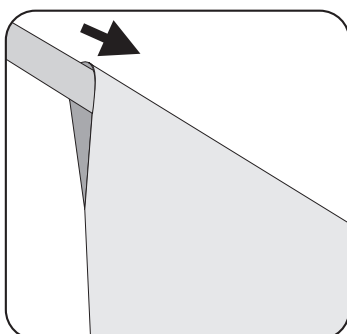
2 Attach the vertical support poles to the feet using the included bolts and screwdriver.



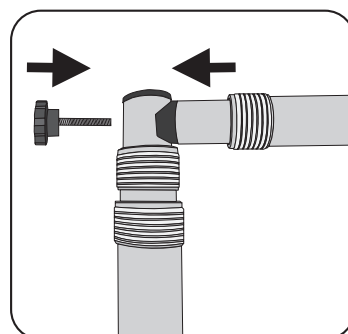
3 Connect the horizontal support poles by twisting them together.



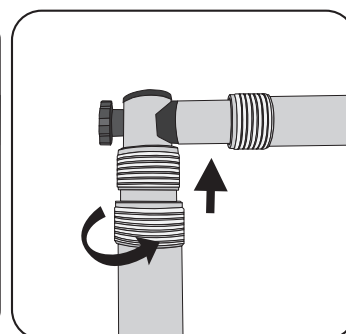
4 Adjust the graphic width by rotating the pole extension locks to loosen the telescopic pole. Pull to the desired length, and gently tighten the pole extension locks. DO NOT overtighten pole extension locks.



5 If the banner is being hung by pole pockets, slide the horizontal support poles through the top and bottom pole pockets.



6 Attach the horizontal poles to the vertical support poles using the large screws found in the end of each horizontal pole. Adjust the direction of the feet



7 Adjust the graphic height by rotating the pole extension locks to loosen the telescopic pole. Pull to the desired length, and gently tighten the pole extension locks. DO NOT overtighten pole extension locks.



CAUTION:
DO NOT OVERTIGHTEN POLE EXTENSION LOCKS. OVERTIGHTENING WILL BREAK DELICATE COMPONENTS AND VOID WARRANTY