

HanleyLED™

RGB Solutions

- Indoor or outdoor, HanleyLED RGB solutions are here!
- As easy as R G B
- Experience color changing without the headaches of programming.
- Brighter Output & Wider Optics means greater versatility
- As shallow as 2.5" depth
- Great for channel letters, cabinets, and halo lit applications

HanleyLED

HanleyLED HLED-RGB2072 Spec Sheet

Peregrine Series HLED-RGB2072



Specifications

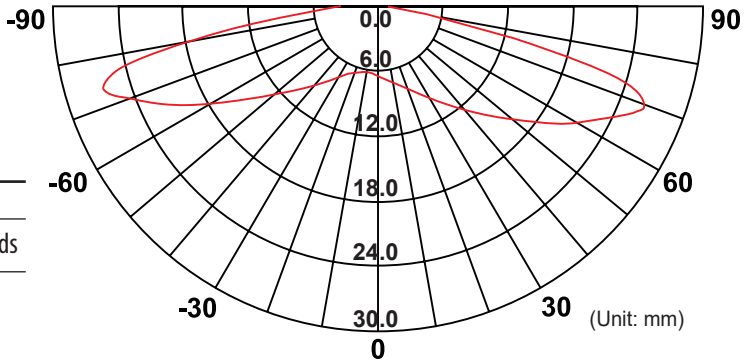
Type	RGB color changing module
Viewing Angle	170°
Watts	.72w/mod (1.08w/ft.)
Input Voltage	12vDC
Modules/Foot	1.5/ft. fully stretched
Protection Grade	IP65
Packaging	Anti-static bag, 75 mods (50 ft)/bag
Warranty	5 Year (Product) / 5 Year (Labor)
Operating Temp.	-40 ~ +60 °C / -13 ~ +140 °F
Storage Temp.	-40 ~ +70 °C / -13 ~ +158 °F
Cascade	25 mods Single-ended Power Feed (pcs) 50 mods Double-ended Power Feed (pcs)

Features

- Strobe, flash, fade, cycle and more
- As low as 3" from sign face
- Ideal for shallow, deep and halo channel letter lighting
- Fewer modules to light up signs
- Guaranteed life over 50,000 hours
- UL Retrofit Kit Classified
- HanleyPRO Layout Creator at hanleyledsolutions.com

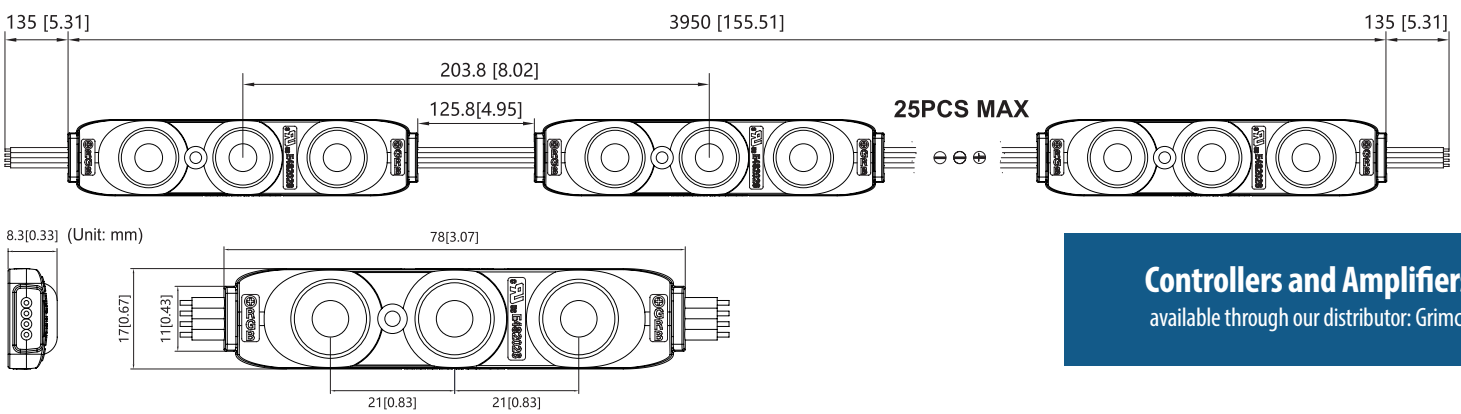
Color	Part#	Color Temp	Lumens
Red	HLED-RGB2072	620-625nm	5 lm/mod (7.5 lm/ft.)
Green		520-525nm	14 lm/mod (21 lm/ft.)
Blue		470-475nm	3 lm/mod (4.5 lm/ft.)
All			21 lm/mod (31.5 lm/ft.)

Light Distribution



MODEL	MAX POWER SUPPLY LOAD				
	35W	60W	100W	150W	240W
HLED-RGB2072	48 mods	83 mods	138 mods	207 mods	332 mods

Profile Drawings



Controllers and Amplifiers
available through our distributor: Grimco

Flex Strip Series

HFLX-RGB48



LM79 LM80

Specifications

Type	RGB color changing strip
Beam Angle	115°
Input Voltage	12vDC
Power	1m: 14.4w / 5m: 48w
Length	5m
Protection Grade	IP33
Packaging	Anti-static bag
Warranty	5 Year (Product)
Operating Temp.	-40 ~ +60 °C / -13 ~ +140 °F
Storage Temp.	-40 ~ +70 °C / -13 ~ +158 °F

Color	Part#	Color Temp	Lumens
Red	HFLX-RGB48	620-625k	120 lm/m
Green		525-530k	180 lm/m
Blue		465-470k	60 lm/m

Features

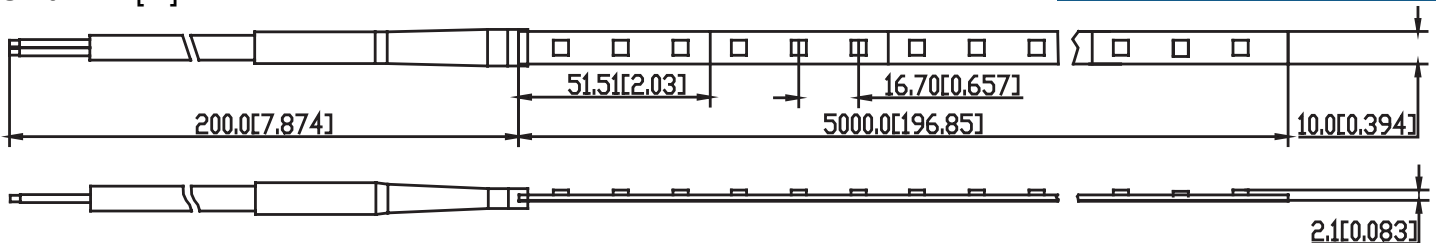
- RGB color changing LED strips
- Easy installation: wires pre-soldered & double-sided 3M™ tape for application
- For indoor signs, shallow cabinets or push through letters
- For lighting enhancement or decorative lighting applications
- Easy connect wires available ([download info here](#))

MODEL	MAX POWER SUPPLY LOAD			
	35W	60W	100W	150W
All models	2 meters	5 meters	10 meters	15 meters

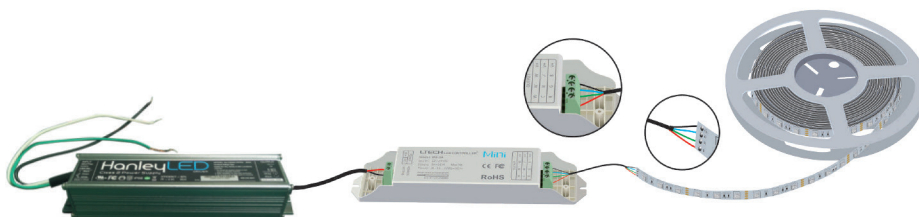
Max-Cascading Quantity: 5 meters

Profile Drawings

Unit: mm [in]



Controllers and Amplifiers
available through our distributor: Grimco



HanleyLED

HanleyLED HLED-RGBCNTRL Spec Sheet

RGB Controller

HLED-RGBCNTRL



RF WIRELESS



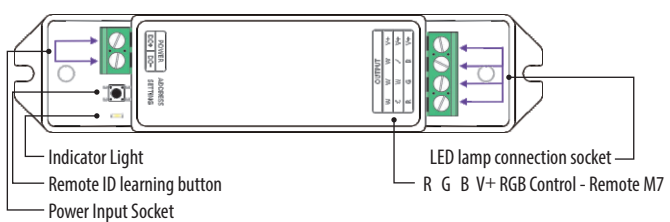
Features

- RF remote is slim, light and easy to carry while receiver is small and easy to install.
- High grayscale performance.
- One receiver has the capability to dim, change color temperature and control RGB.
- Remote can automatically enter standby mode to extend battery life. Automatic sleep mode, after 30 seconds.
- Remote can be used up to 90ft away from the receiver.
- HanleyLED recommends underloading by 5%.

Attention

- This product is non-waterproof. Please avoid the sun and rain. When installed outdoors, ensure it is mounted in a water proof enclosure.
- Good heat dissipation will prolong working life of the controller. Please ensure good ventilation with each installation.

Operating Instructions for Receiver:



Specifications

RECEIVER	
Model	M3-3A
Power Input	12 ~ 24vDC
Max Current Load	3Ax3CH
Max Output Power	108W(12V)/216W(24W)
Working Temp.	-30 ~ 55 °C / -22° ~ +131 °F
Dimensions	L135 x W30 x H20(mm)
Weight	47g
Total Weight (G.W.)	135g
REMOTE	
Model	M7
Working Voltage	3V (battery CR2032)
Working Frequency	433.92 MHz
Remote Distance	30m
Working Temp.	-30 ~ 55 °C / -22° ~ +131 °F
Dimensions	L104 x W58 x H9(mm)
Weight (N.W.)	42g

Remote Control Operating Instruction:

Top Section

To customize the "Jump" feature or the "Fade" feature use the (+) or (-) buttons to increase or decrease the "Jump" or "Fade". This automatically saves after you choose the desired speed of your selected feature.



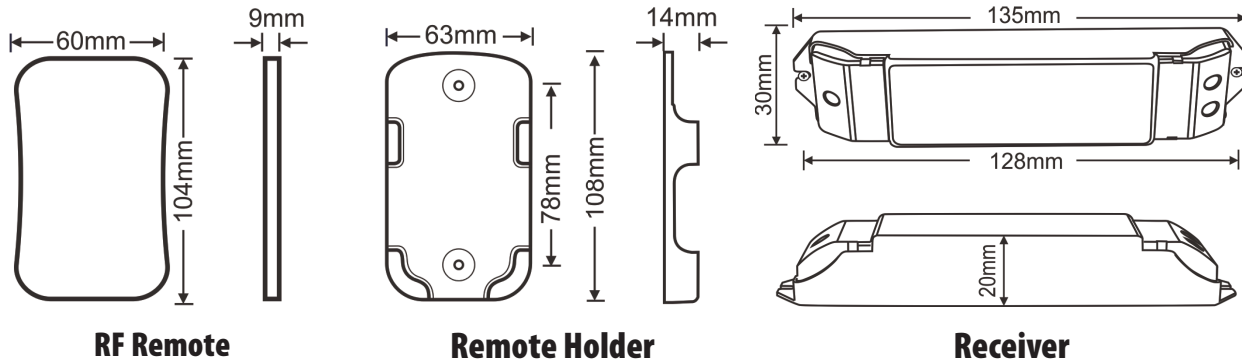
COLOR CHANGING MODES

1. Static Red
2. Static Green
3. Static Blue
4. Static Yellow
5. Static Purple
6. Static Cyan
7. Static White
8. RGB Skipping
9. 7 Colors Skipping
10. RGB Smooth
11. Full-color Smooth

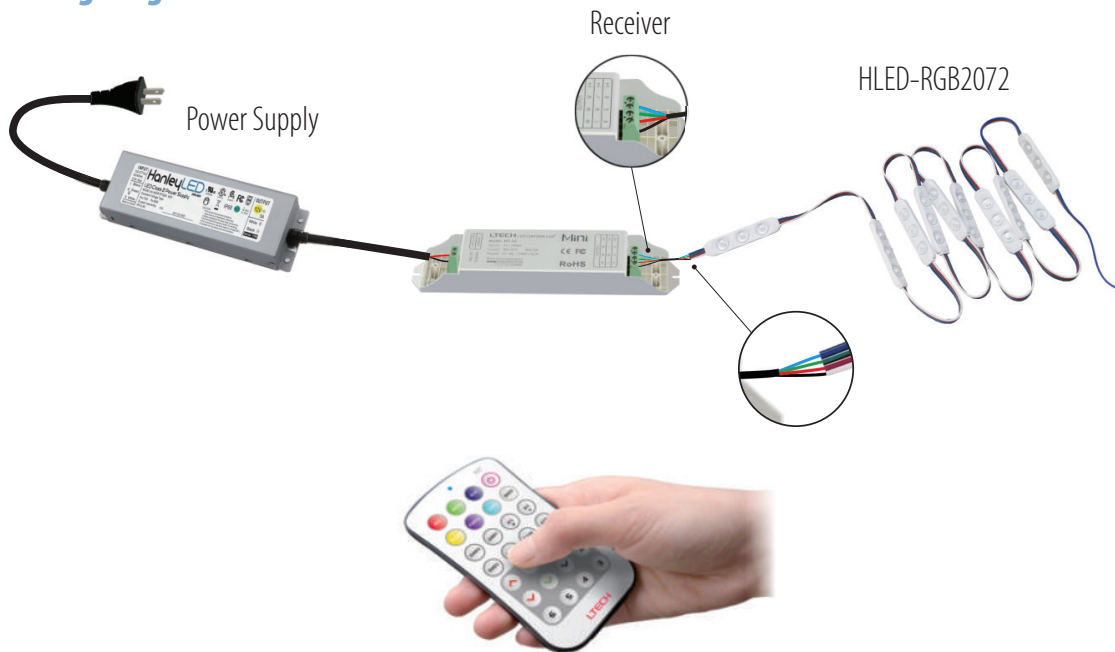
Bottom Section

This portion is to save solid colors. Use the arrows to formulate the exact color you want. Once you have the desired color simply hold down a number to save that color for future use. You can save up to 6 custom solid colors.

Product Drawings



Wiring Diagram



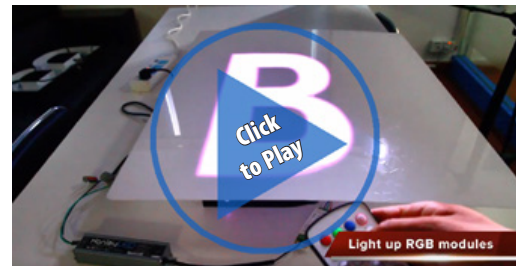
Troubleshooting

The remote control has been matched to the receiver before leaving the factory. If the connection is accidentally deleted you can pair your devices by following the simple steps below.

LEARNING ID: Short press the ID learning button on the receiver until the running light is on. Then press any key on the controller. The running light flashes several times when activated.

CANCEL ID: Long press the ID learning button on the receiver for 5 seconds.

Application of RGB Modules



HanleyLED

HanleyLED HLED-RGBAMP Spec Sheet

RGB Amplifier

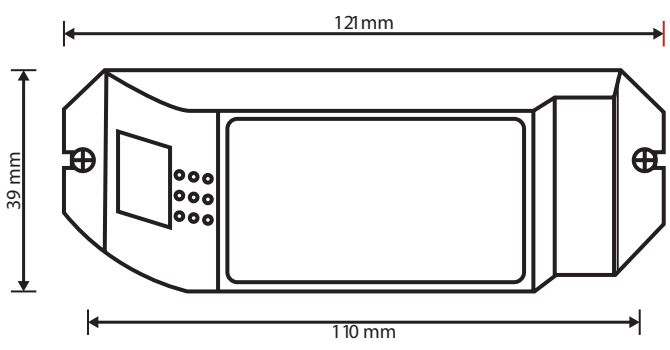
HLED-RGBAMP



Features

- Suitable for all power-output style controllers.
- Accepts PWM control.
- Can run an unlimited amount of amplifiers with HLED-RGBCTRL.

Product Size



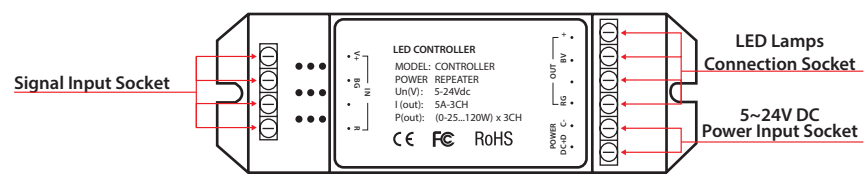
Specifications

Model	HLED-RGBAMP
Input Voltage	5 ~ 24V DC
Max Current Load	5A*3CH Max 15A
Max Output Power	75W/180W/360W (5V/12V/24V)
Working Temp.	-30 ~ 55 °C / -22° ~ +131 °F
Dimensions	L121 x W39 x H39(mm)
Package Size	L123 x W42 x H42(mm)
Weight (G.W.)	100g

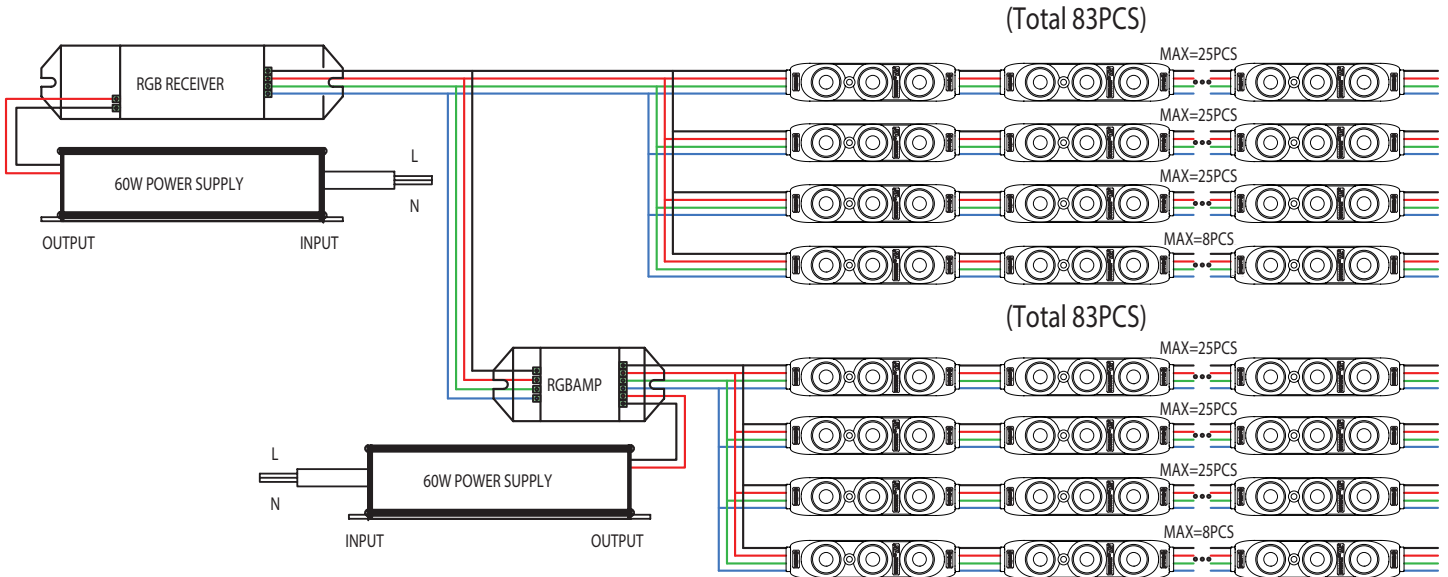
Use with: HLED-RGBCTRL



Terminal Description

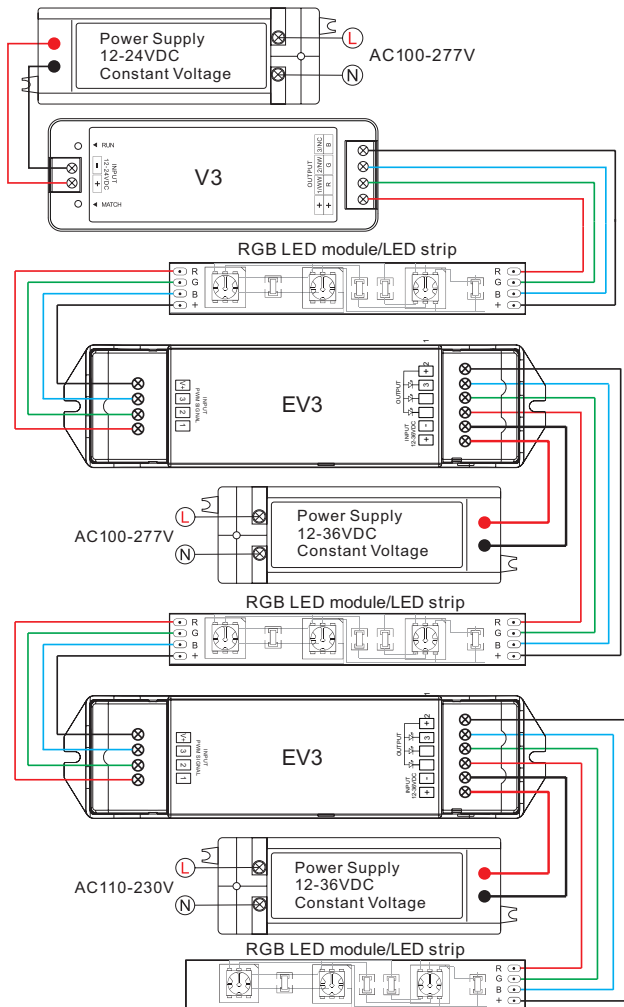


Wiring Diagram with HLED-RGB2072

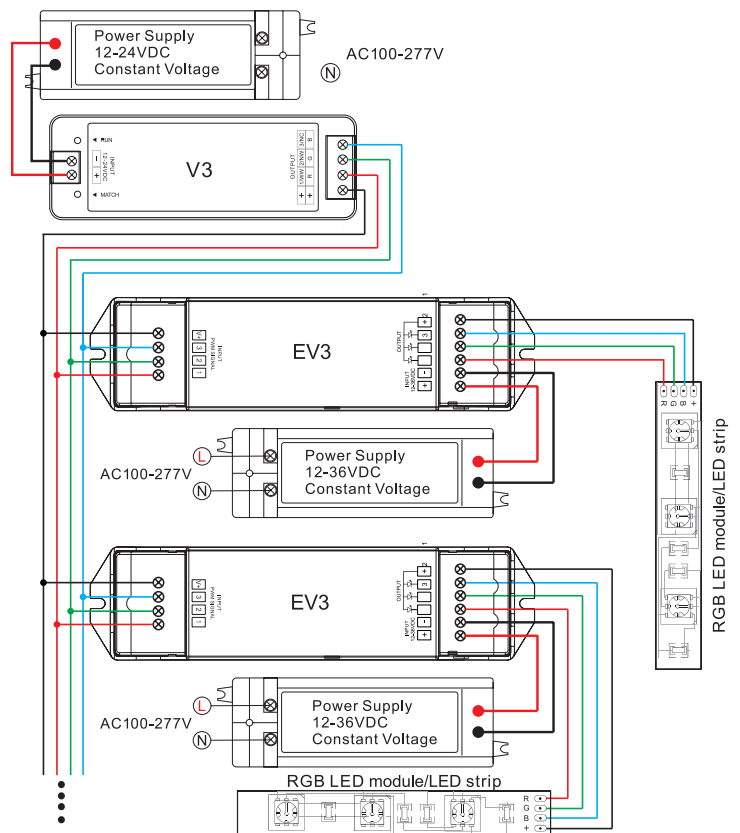


Wiring Diagram with HFLX-RGB48

Series Connection



Parallel Connection



User Guide

- Used with various LED PWM constant voltage controller, expand output power of the controller to control more lamps.
- A controller can connect unlimited number of LED power repeaters in series or in parallel, and achieve the synchronous control effects.

Safety & Warnings

1. The product shall be installed and serviced by a qualified person.
2. This product is non-waterproof. Please avoid the sun and rain.
3. Good heat dissipation will prolong the working life of the controller, Please ensure good ventilation.
4. Please check if the output voltage of any power supplies used comply with the working voltage of the product.
5. Ensure all wire connections and polarities are correct and secure before applying power to avoid any damages to the LED lights.
6. If a fault occurs please return the product to your supplier. Do not attempt to fix this product by yourself.

Malfunctions & Troubleshooting

Malfunctions	Causes	Troubleshooting
No Light	<ol style="list-style-type: none"> 1. No power 2. Wrong or insecure connection 	<ol style="list-style-type: none"> 1. Check the power 2. Check the connection
Wrong Color	<ol style="list-style-type: none"> 1. Wrong connection of RGB wires 	<ol style="list-style-type: none"> 1. Reconnect the RGB wires
Uneven intensity between front and rear, with voltage drop.	<ol style="list-style-type: none"> 1. Output cable is too long 2. Wire diameter is too small. 3. Overload beyond power supply capability 4. Overload beyond controller capability 	<ol style="list-style-type: none"> 1. Reduce cable or loop supply 2. Change wider wire 3. Replace higher power supply 4. Add power repeater

LED Power Supply Voltage and Power Select

12V lamp, Input 12V power supply, can load 0~216W,
 24V lamp, Input 24V power supply, can load 0~432W,
 36V lamp, Input 36V power supply, can load 0~648W,
 The power supply power must larger than load power 20%.